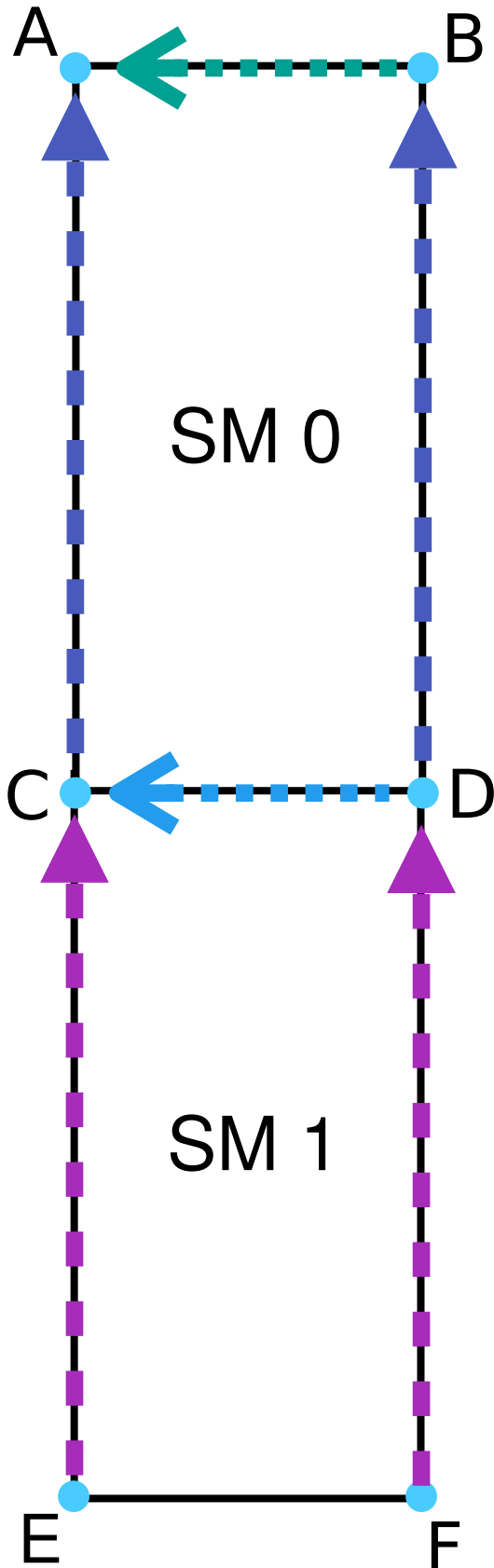
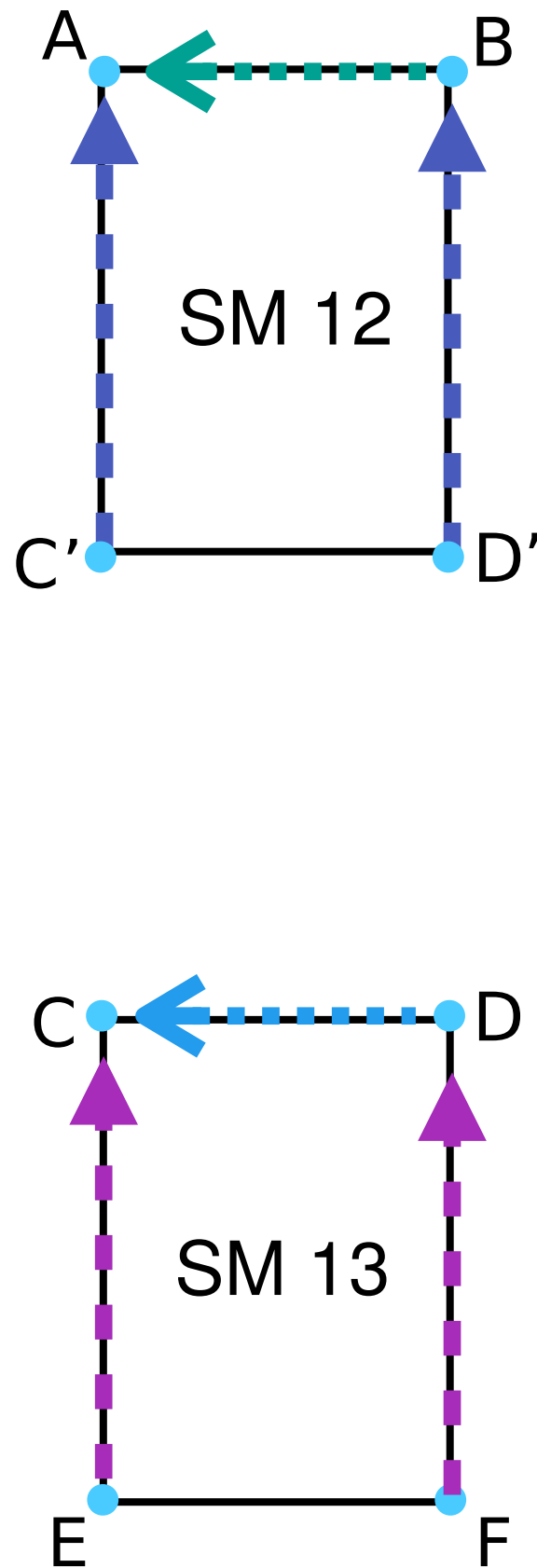


Full-size and 1/3-size SMs



2/3-size SMs



- X Survey Points
- - - → Used to build the long axis vectors
- - - → Short axis vectors

